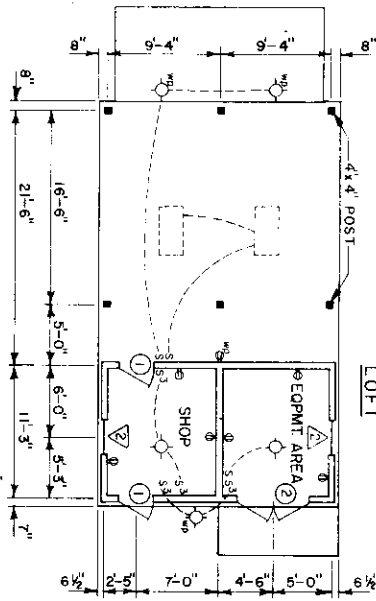
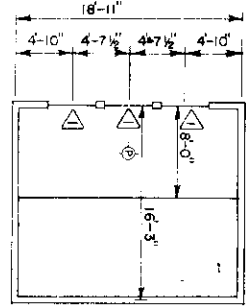
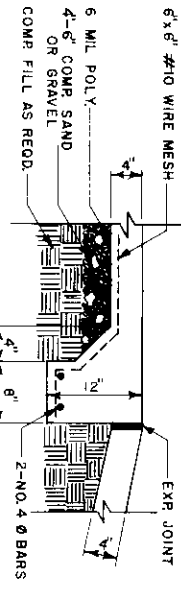


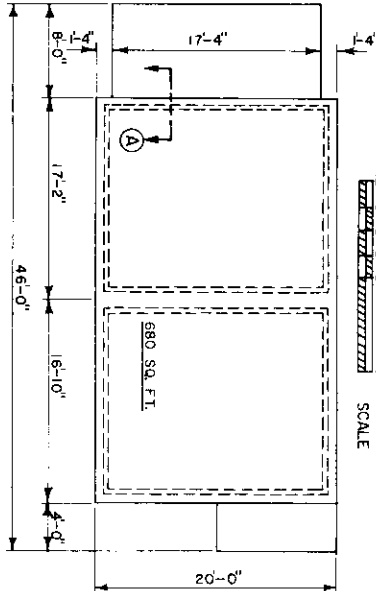
NOTES:  
LOFT FL. JR. SHOWN AS 8' WIDE - MAY BE EXTENDED TO COVER EQUIPMENT AREA.  
LOFT ACCESSED BY LADDER IN SHOP.



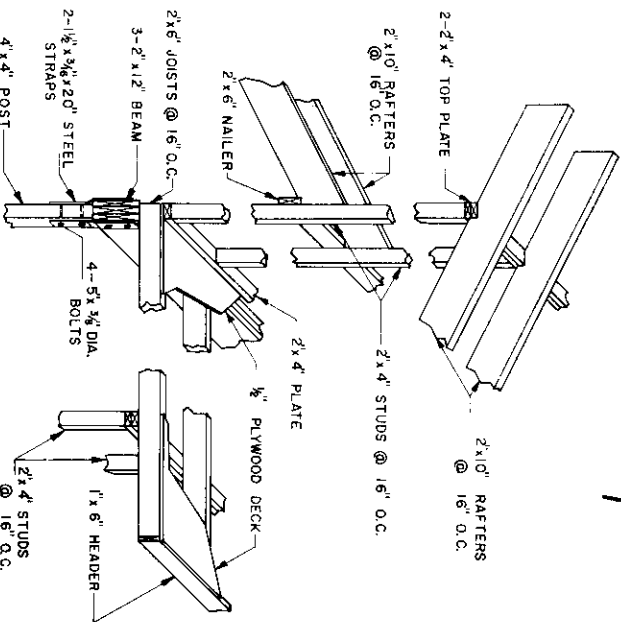
FLOOR PLAN



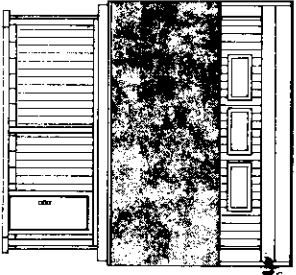
SECTION A



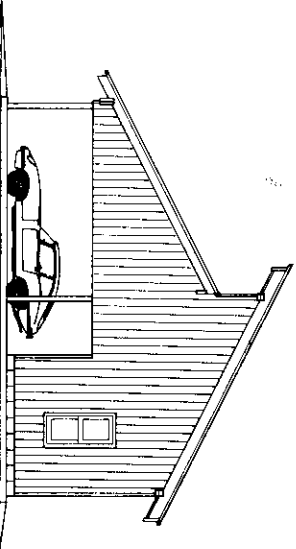
FOUNDATION PLAN



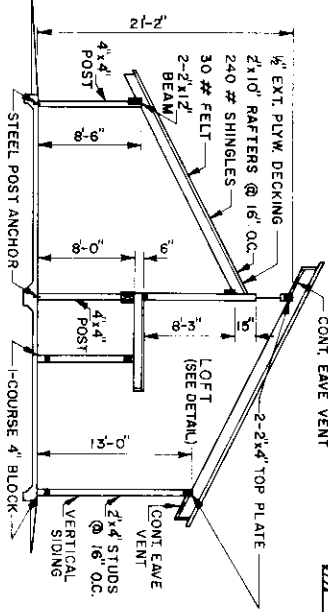
LOFT DETAIL



FRONT ELEVATION



RIGHT ELEVATION



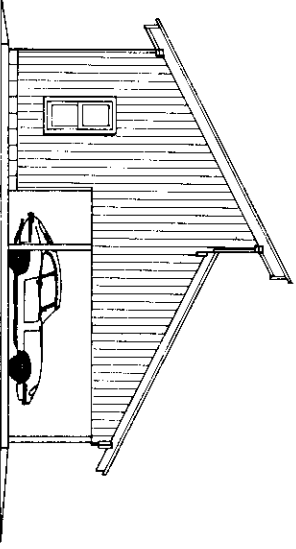
CROSS SECTION

| DOOR SCHEDULE |                           |
|---------------|---------------------------|
| 1             | STEEL CLAD W/ INSUL. CORE |
| 2             | " " " " " "               |

NOTES:  
ALL FILL SOIL SHALL BE COMPACTED TO 95% STANDARD PROCTER.  
ALL FOUNDATION SOILS SHALL BE THOROUGHLY TREATED FOR TERMITES PROTECTION.  
STRUCTURE DESIGNED FOR SNOW LOAD OF 25 LB./SQ. FT.



REAR ELEVATION



LEFT ELEVATION

| WINDOW SCHEDULE |                    |
|-----------------|--------------------|
| 1               | AWNING WINDOW      |
| 2               | DOUBLE HUNG WINDOW |

ELECTRICAL KEY

|     |                                 |
|-----|---------------------------------|
| S   | SINGLE POLE SWITCH              |
| S3  | THREE WAY SWITCH                |
| ⊕   | DUPLEX CONVENIENCE OUTLET       |
| ⊕AD | WEATHERPROOF CONVENIENCE OUTLET |
| ⊕MS | WEATHERPROOF WALL OUTLET        |
| ⊕   | PULL CHAIN LIGHT                |

UNLESS OTHERWISE NOTED

COOPERATIVE EXTENSION WORK IN AGRICULTURE AND HOME ECONOMICS

UNITED STATES DEPARTMENT OF AGRICULTURE COOPERATING AND NATIONAL EXTENSION SERVICE  
CONTemporary CARPORT, SHOP AND STORAGE  
MS. '81 EX. 6345 SHEET 1 OF 1